



【iSWEEP Rear Underskirt Diffuser】

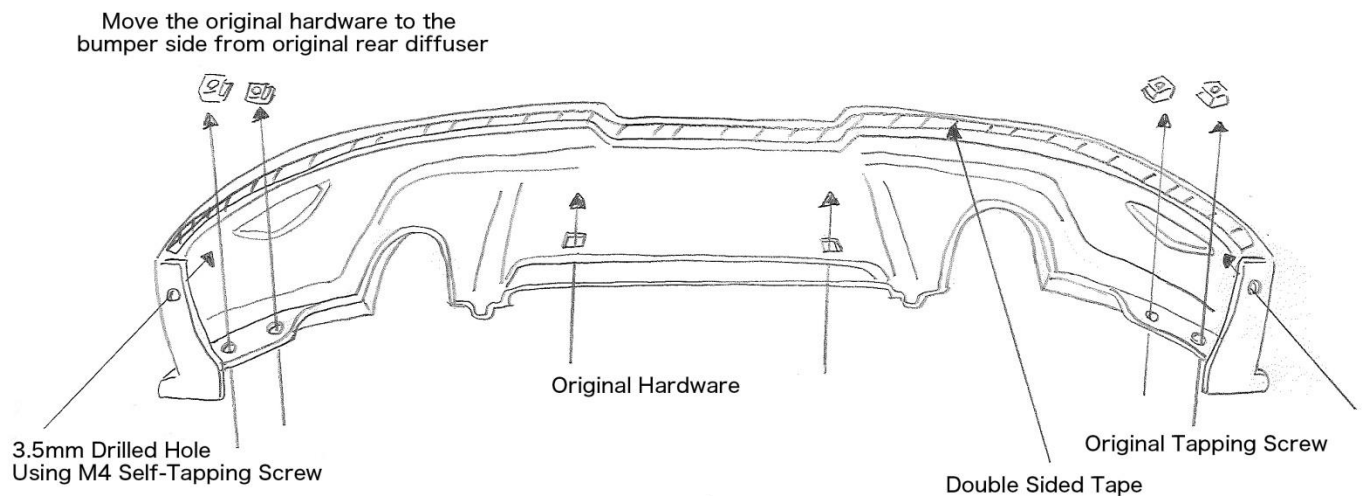
VW GOLF7 GTI

◇ Parts List

1. Rear Under Skirt Diffuser × 1
2. M4 Tapping Screws × 2 pcs.
3. Double Sided Tape × 2

Thank you for purchasing iSWEEP products. This instruction manual provides necessary information for proper installation to prevent defects, malfunctions, and accidents from occurring. Please read and acknowledge all procedures before beginning installation. iSWEEP is not responsible for any injuries or death caused by the misuse or negligence of this manual and product.

【Installation Instructions】



1. Remove the original rear diffuser. Remove the clip nut that is attached to the original rear diffuser and reattach it to the bumper side at the same position.
2. Temporarily fit the rear underskirt diffuser to the rear bumper. Mark the rear holes at the fender arches as shown in the diagram. Open a 3.5mm pilot hole with a drill.
3. This product should be taken to a body shop or paint refinisher and be painted by a qualified automotive paint specialist.
4. Use the included double sided tape as shown in the diagram, and use the supplied M4 tapping screws to attach the Rear Underskirt Diffuser to the factory bumper.