



## BODY KIT SERIES for VW GOLF7.5 R >>> Rear Diffuser DTM Type



[iSWEEP Rear Diffuser DTM Type]

VW GOLF7.5 R

◇ Kit Contents

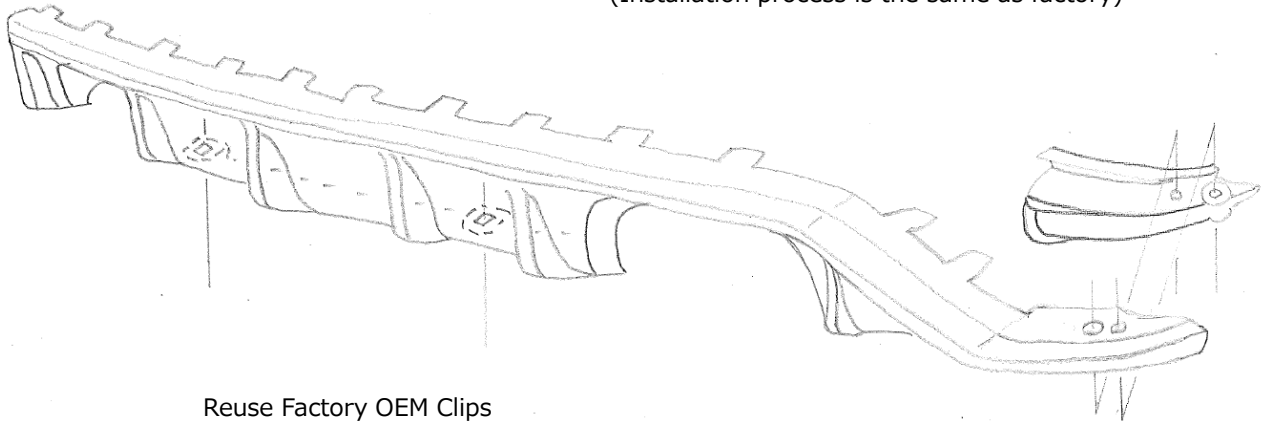
1. Rear Diffuser ×1

Thank you for purchasing iSWEEP products. This instruction manual provides necessary information for proper installation to prevent defects, malfunctions, and accidents from occurring. Please read and acknowledge all procedures before beginning installation. iSWEEP is not responsible for any injuries or death caused by the misuse of negligence of this manual and product.

### 【Front Lip Spoiler Installation】

Brackets (Left & Right), Reused Factory Screws

(Installation process is the same as factory)



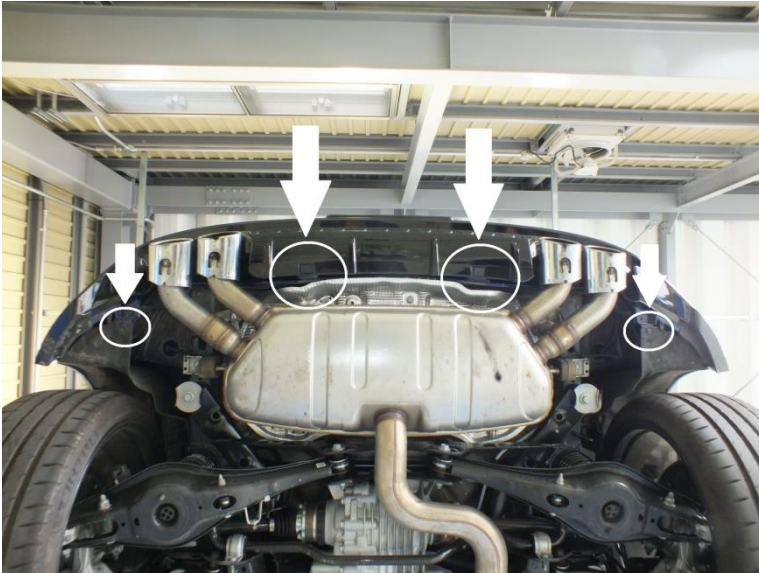
1. The Rear Diffuser unit will require surface preparation and paint. Please have this performed by a professional.

2. Remove factory rear diffuser from the bumper.

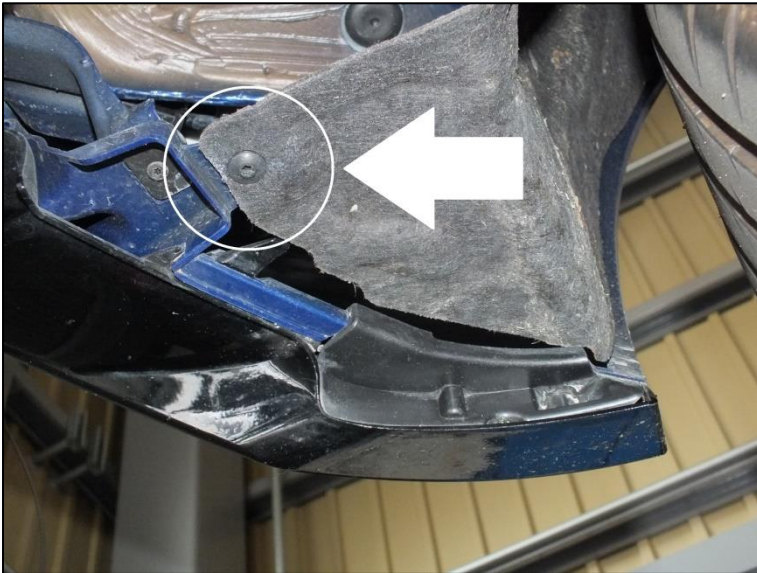
\*Save all the factory OEM clips and fasteners since they will be reused for the installation.

Turn page over

[OEM Factory Rear Diffuser Removal]



Loosen the plastic fasteners in the center and pull out the clips.



Remove two T25 Torx screws for the left and right rear inner fenders.



Peel back the rear inner fenders to access the T25 Torx screws to remove the brackets on both sides. (Right side pictured)



Pull the bracket to the direction of the arrow to remove them. This applies to both sides.



Pull the rear diffuser towards the rear while pressing down on the inner tabs.

\*May require a helping hand

#### 【iSWEEP Rear Diffuser Installation】

Prop up the iSWEEP Rear Diffuser to the bumper. Installation is the same as the factory process. Reuse all clips and fasteners for this installation.